

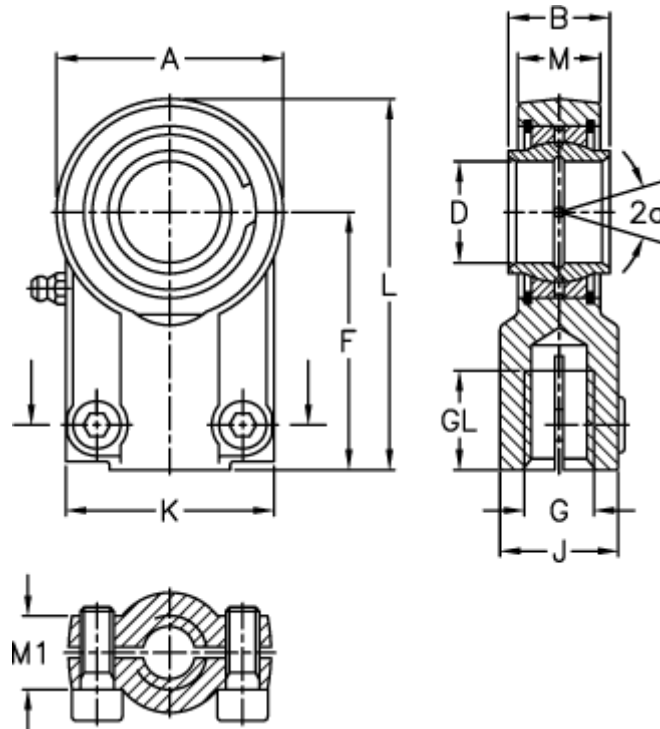
# Data Sheet



Article number: 03551200

Description: Fluro hydraulic rod end FPR 200CE

## Measures



A	= 418	J	= 215
a (degrees)	= 4	K	= 320
B	= 200	L	= 620
D	= 200	M	= 162
Dynamic load C (kN)	= 2120	M1	= 102
F	= 390	Static load C0 (kN)	= 3650
g	= M160x4	Torque (N m)	= 1500
GL	= 161	Weight	= 174000